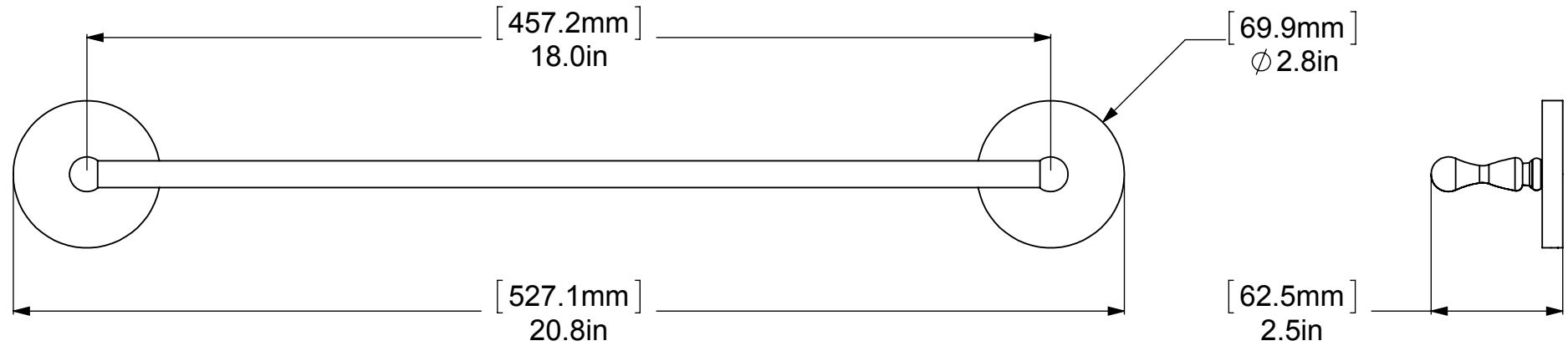
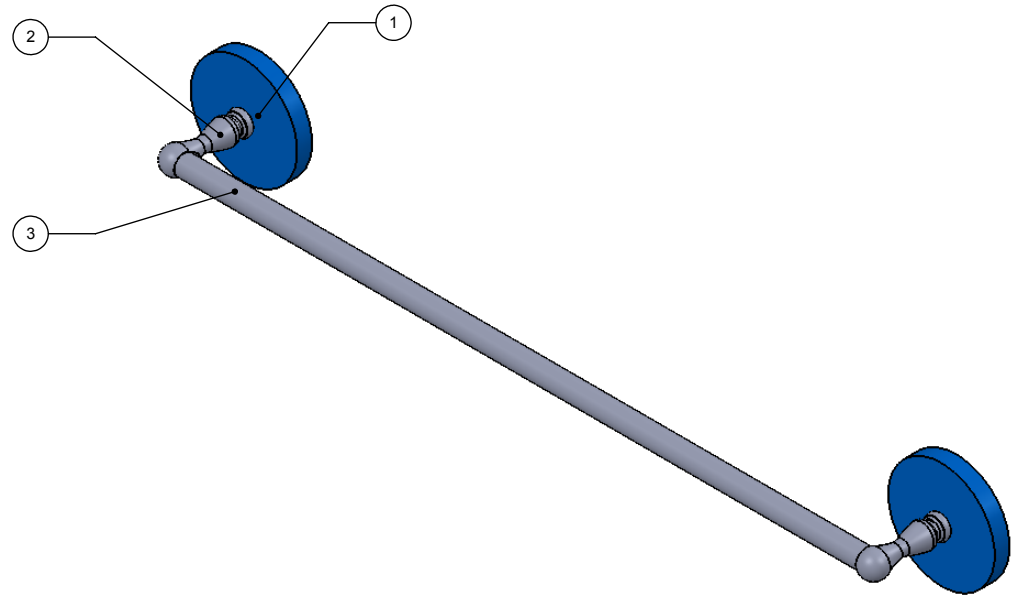


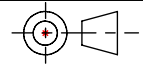
ITEM NO.	P/N	Description	QTY.
1	BPRD	BACKPLATE	2
2	PSTDS-12	POST	2
3	TU12-18,24,30,36	TUBE	1



UNLESS OTHERWISE STATED

.X	±.3mm
.XX	±.15mm
.XXX	±.008mm

COPYRIGHT © Allied Brass 2019



THIRD ANGLE PROJECTION

DRAWN	2-15-19	I.M
CHECKED	2-15-19	P.D
APPROVED	2-15-19	R.A

MATERIAL:	BRASS	
DESCRIPTION:	Towel Bar	

FINISH	TBD	
QUANTITY	TBD	
DRAWING No.	1031	
SCALE	1:3	SHEET: 01
		A4

D

A

B

C

D

A

B

C

D